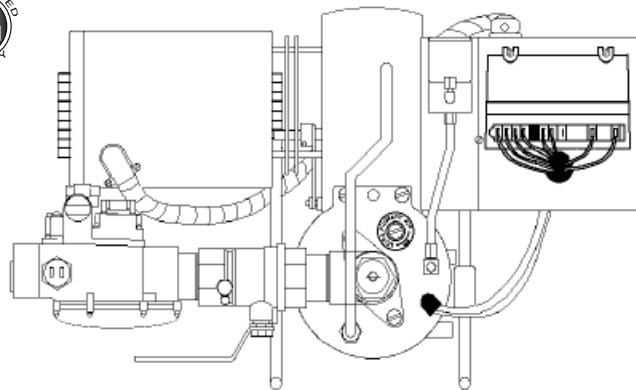


Replacement Parts List Economite Model F400B-33



*Installation and Service Manual - 8470-73
Date Code - 1594*

- First production April 1994 (date code 1594).
- For manufacturing dates and manual availability, refer to historical data below and on page 3



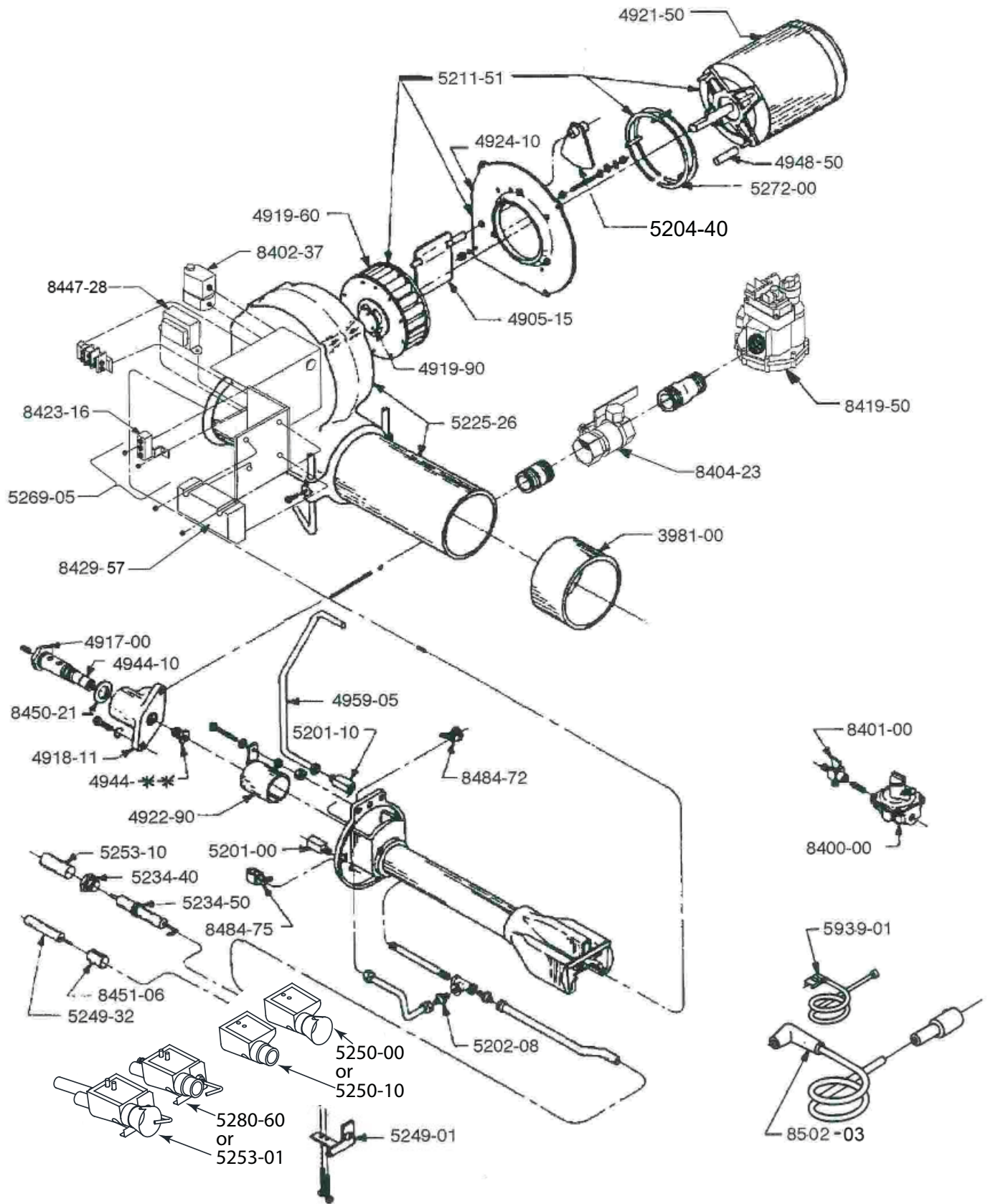
Midco®
INTERNATIONAL

Midco® International Inc.
4140 West Victoria Street
Chicago, Illinois 60646
toll free 866.705.0514
tel 773.604.8700
fax 773.604.4070
web www.midcointernational.com
e-mail sales@midcointernational.com

AVOID ERROR IN PARTS SELECTION. When ordering use complete MIDCO Part Number and Description. Furnish Burner Model Number, Bill of Material Number and Serial Number (if available) from the specification plate found on the product.

IMPORTANT: Availability of parts as well as specifications are subject to change without notice. Please consult factory for item availability.

Exploded View - Economite F400B-33



Parts List - Economite F400B-33

Item	Part #	Description	Qty	Item	Part #	Description	Qty
3981-00		4" Diameter Stainless Sleeve		5253-10		PVC Tubing—7/16" I.D. x 2" long	
4905-15		Air Shutter—Internal		5269-05		Blower Interlock Switch (MICRO Switch) with Bracket	
4917-00		Main Orifice Holder		5272-00		Blower Inlet Grille	
4918-11		Orifice Elbow (1"NPT)		5280-60		Pilot Assembly with Ring Tip, Insulators, Rods, Temflex and Baffle	
4919-60		Blower Wheel with Centrifugal Actuator and Disc		5939-01		Flamerod Wire—5" through 9" Burner Tube	
4919-90		Centrifugal Actuator Disc		8447-28		Transformer Assembly 120/1/60 24V-40VA	
4921-50		1/6 HP Motor		8400-00		1/8" NPT Pilot Regulator—1 PSI maximum inlet (Maxitrol RV12)	
4922-90		Primary Air Shutter Kit		8401-00		1/8" NPT Pilot "B" Cock	
4924-10		Inlet Side Plate		8402-37		1/8" NPT Pilot Solenoid 24/1/60	
4944-02		Main Spud 25/64" drill (.390) minimum capacity—NATURAL—drill 7/16" (.437) for 400/540 MBH range and omit for 540/700 range		8404-23		1" Ball Valve with side tap	
4944-07		Main Spud #9 drill (.196) minimum capacity PROPANE—drill for desired capacity per manual		8406-58*		Power Relay	
4944-10		Main Spud Extension		8406-69*		Motor Relay Single Pole 24V-14AMP (O.E.M. only)	
4948-50		Motor Spacer (4 required)		8419-50 ¹		1" Redundant Combination/Pilot Valve (Robert Shaw)	
4959-05		External Pilot Air Tube Kit		8423-16		Blower Interlock Switch (MICRO BZ-2RQ174-A2)	
5201-00		1/2" sq. Pass Thru for 1/4" Tube Fitting (gas line)		8429-57 ¹		Electronic Control (M-H S8670J)	
5201-10		1/2" sq. Pass Thru for 5/16" Tube Fitting (air line)		8447-22*		Ignitor Spark Generator	
5201-90*		400 Rubber Seal Strips		8470-73*		Installation and Service manual	
5204-40		Quadrant—Air Shutter Adjustment		8450-21		Orifice Holder Sealing Gasket	
5202-08		Pilot Spud #55 (.052) Drill [was #54 (.055)]—NATURAL and PROPANE		8451-06		Spark Rod Insulator sleeve	
5211-51		Motor, Wheel and Side Plate Assembly 120/1/60		8484-72		Heyco Strain Relief (SR-4K-1)—Flame Rod Wire	
5212-20*		Cartridge Assembly		8484-75		Heyco Strain Relief (SR-11-2)—Spark Rod Wire	
5214-20*		Cartridge Assembly (O.E.M. Thermo-cycler)		8502-03		Wire Assembly	
5225-26		Blower Housing and Burner Tube Assembly		8509-05*		Spark Cable (O.E.M. Thermo-cycler)	
5234-40		Flamerod Gland Nut		2020100*		4" Mounting Flange	
5234-50		Flamerod Assembly		2020400*		4" long Accessory Blast Tube Extension	
5247-70*		F400B-33 Spark Transformer Parts Kit		2020500*		8" long Accessory Blast Tube Extension	
5249-01		Pilot Air Baffle		2030302*		Kit to convert NATURAL burner to PROPANE; includes minimum spud to be drilled per manual, Pilot Regulator Spring, Propane Regulator Head and Instructions.	
5249-32		Spark Rod Assembly					
5250-00		Pilot Body with Cone Tip, less Insulators, Rods, Temflex and Baffle					
5250-10		Pilot Body with Ring Tip, less Insulators, Rods, Temflex and Baffle					
5253-01		Pilot Assembly with Cone Tip, Insulators, Rods, Temflex and Baffle					

* Not Shown

NOTES

1. **WARNING:** Explosion hazard. Can cause serious injury or death. This device can malfunction if it gets wet. Never try to use a device that has been wet—replace it.

