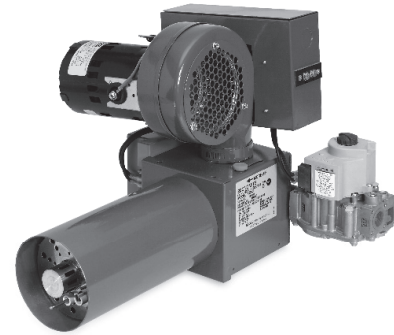


Replacement Parts List

Economite Model RS40 Available Parts for RS40



★ MADE in the USA ★

Installation and Service Manual - 8471-09
Date Code - October 1998

The Economite RS40 model is Obsolete



Midco[®]
INTERNATIONAL

Midco[®] International Inc.
4140 West Victoria Street
Chicago, Illinois 60646
toll free 866.705.0514
tel 773.604.8700
fax 866.580.8700
web www.midcointernational.com
e-mail sales@midcointernational.com

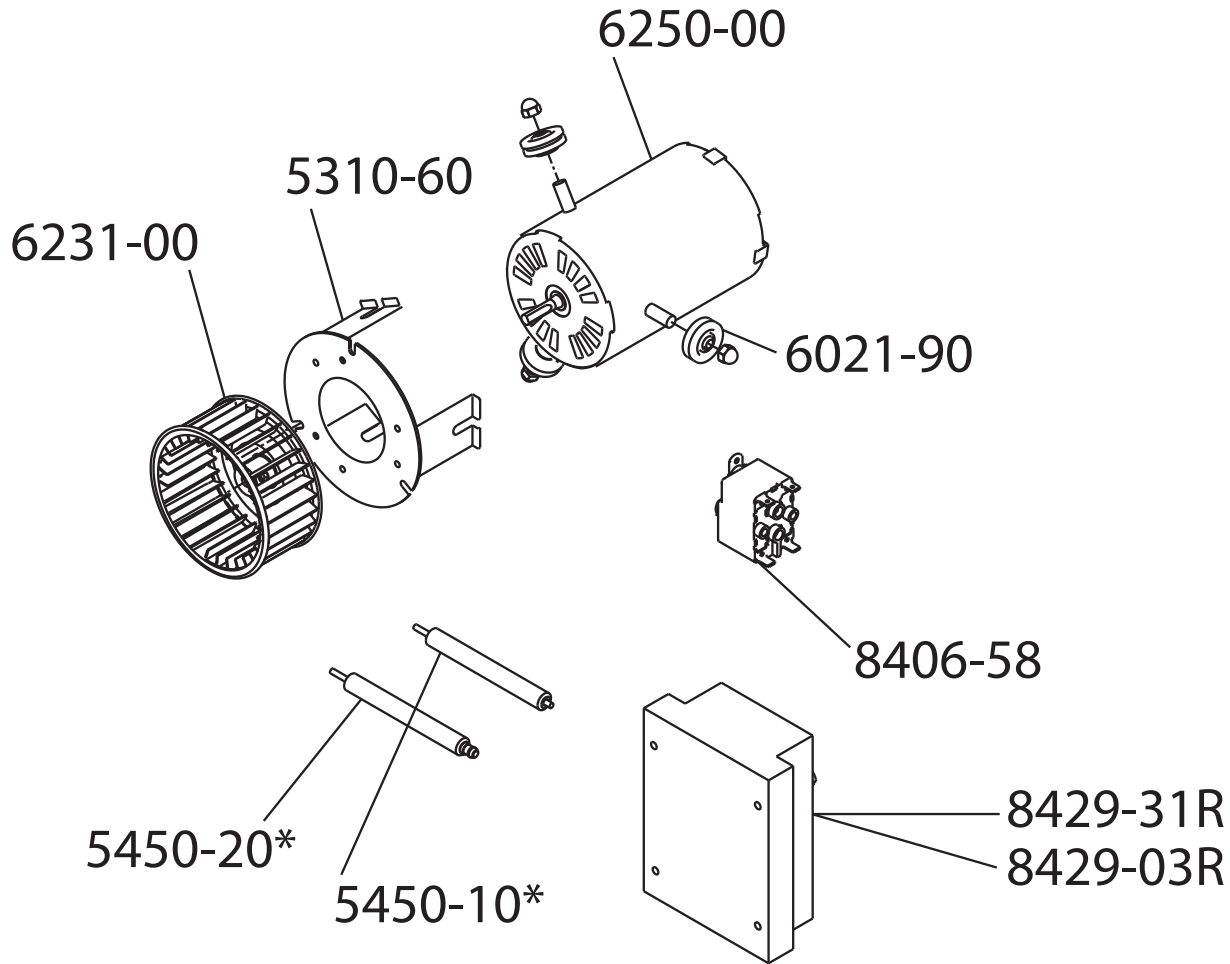
AVOID ERROR IN PARTS SELECTION. When ordering use complete MIDCO Part Number and Description. Furnish Burner Model Number, Bill of Material Number and Serial Number (if available) from the specification plate found on the product.

IMPORTANT: Availability of parts as well as specifications are subject to change without notice. Please consult factory for item availability.

As an ISO 9001:2008 certified company, we proudly design, manufacture and assemble our products in Chicago, Illinois, USA.

Quality Designed for Proven Performance

Economite RS40 Available Parts



Available parts for the RS40

Part #	Description	Qty
5310-60	RS 40 MTR MNT RVTMT	1
5450-10 *	SENSE ELECTD ASSM RS SER	1
5450-20 *	SPK ELECTD ASSM RS SER	1
6021-90	3 RUBBER MOTOR MOUNT	3
6231-00	BLO WHL	1
6250-00	SH-P MTR / SW / TOP / B-BRNGS	1
8406-58	SP RLY 24V - 3A	1
8429-03R	S87D DSI CNTRLR	1
8429-31R	S87K DSI CNTRLR	1

* Available until stock runs out

NOTES

1. **⚠ WARNING:** Explosion hazard. Can cause serious injury or death. This device can malfunction if it gets wet. Never try to use a device that has been wet -- replace it.

2. **NOTE:** Parts shown with part numbers are available. All other parts are NO LONGER AVAILABLE.



★ MADE in the USA ★

As an ISO 9001:2008 certified company, we proudly design, manufacture and assemble our products in Chicago, Illinois, USA.

Midco® International Inc. - 4140 West Victoria Street - Chicago, Illinois 60646 - toll free: 866 705 0514
tel: 773.604.8700 - fax: 866.580.8700 - web: www.midcointernational.com - e-mail: sales@midcointernational.com



418
8472-74PARTS
Printed in USA