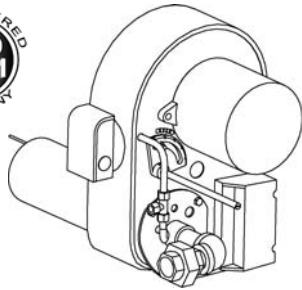




Midco
INTERNATIONAL



Economite

RE4850BA / RE4700BA
RE4400B / RE4400BA
Gas Burners

In the United States, Installation must conform with local codes or, in the absence of local codes, with Installation of the **National Fuel Gas Code, ANSI Z223.1-latest edition**, from the American National Standard Institute. Further reference should be made to the recommendation of your fuel supplier.

In Canada, Installation must conform with local codes or, in the absence of local codes, with **Installation Codes for Gas Burning Appliances and Equipment, CGA Standard CAN/CGA 1B-149**. Further reference should be made to the recommendation of your fuel supplier.

WARNING: Additions, changes, conversions, and service must be performed by an authorized MIDCO representative, service agency, or the fuel supplier. Use only MIDCO specified and approved parts.

INSTALLER: Inform and demonstrate to the user the correct operation and maintenance of the gas utilization equipment. Inform the user of the hazards of storing flammable liquids and vapors in the vicinity of this gas utilization equipment and remove such hazards. Affix this manual and associated literature adjacent to the burner. **CODE COMPLIANCE IS THE SOLE RESPONSIBILITY OF THE INSTALLER.**

USER: Retain this manual for future reference. If other than routine service or maintenance as described in this manual and associated literature is required, contact a qualified service agency. **DO NOT ATTEMPT REPAIRS.** An inadvertent service error could result in a dangerous condition.

WARNING: If the information in these instructions is not followed exactly, a fire or explosion may result, causing property damage, personal injury or death.

Do not store or use gasoline or other flammable vapors and liquids in the vicinity of this or any other appliance.

WHAT TO DO IF YOU SMELL GAS:

- ◆ Do not try to light any appliance.
- ◆ Do not touch any electrical switch; do not use any phone in your building.
- ◆ Immediately phone your gas supplier from another building. Follow the gas supplier's instructions. If you cannot reach your gas supplier call the fire department.

Installation and service must be performed by a qualified installer, service agency or the gas supplier.

BURNER MODEL _____

BILL OF MAT'L
NUMBER _____

SERIAL NUMBER # _____

WIRING DIAGRAM _____

FOR SERVICE CONTACT:

Name _____

Address _____

Phone _____

Date of Installation _____

SAFETY INFORMATION TERMS: The following terms are used to identify hazards, safety precaution of special notations and have standard meanings throughout this manual. They are printed in all capital letters using a bold type face as shown below, and preceded by the exclamation mark symbol. When you see the safety alert symbol and one of the safety information terms as shown below, be aware of the hazard potential.

DANGER: Identifies the most serious hazards which **will** result in severe personal injury or death.

WARNING: Signifies a hazard that **could** result in personal injury or death.

CAUTION: Identifies unsafe practices which would result in minor personal injury or product and property damage.



Midco International Inc.

4140 West Victoria St. - Chicago, Illinois 60646

tel 773.604.8700 fax 773.604.4070

web www.midcointernational.com

Quality Designed for Proven Performance

e-mail sales@midcointernational.com



107

8471 24

Printed in U.S.A.

Specifications 1

The **ECONOMITE Models RE 4850BA, RE4700BA, RE4400B and RE4400BA** burners with intermittent spark ignited pilot are adaptable to most gas utilization equipment, including gravity and forced circulation furnaces and boilers. They are particularly recommended for firing horizontal or downdraft equipment since no draft is required to maintain a pilot. Power burner design makes them perfectly suited for oil burner replacement, including rooftop and industrial applications.

AIR DELIVERY (Approximate Air Delivery at Zero Draft)				
	RE 4850BA	RE4700BA	RE4400B & RE4400BA	
	180SCFM ²	146 SCFM ²	85SCFM ²	
FIRING RATE (NATURAL OR PROPANE) ³				
	RE 4850BA	RE4700BA	RE4400B	RE4400BA
MAXIMUM MBH ⁴	850	700	400	400
MINIMUM MBH	280	230	132	132
GAS SUPPLY PRESSURE REQUIRED				
NATURAL				7.0" to 14.0" W.C.
PROPANE				5.0" TO 14.0" W.C.
TUBE DIAMETER.....				4"
TUBE LENGTH.....				9"
RECOMMENDED COMBUSTION CHAMBER SIZE (AT MAX. BTU/HR)				
	RE 4850BA	RE4700BA	RE4400B	RE4400BA
WIDTH	15"	15"	10"	10"
LENGTH	30"	25"	16.5"	16.5"
ELECTRICAL SUPPLY.....				120 VAC.....60 Hertz ⁵
IGNITION CONTROL MODULE VOLTAGE	24 VAC			
FLAME SAFETY....	Electronic Flame Safety with Spark Ignited Pilot and 100% Shut-Off ⁶			

TABLE 1: Burner Specifications

1. Standard burners are shipped as NATURAL gas models. Contact your Midco dealer for PROPANE gas burners.
2. SCFM = Standard Cubic Feet / Minute.
3. All Ratings Based on 1000 BTU/Cu. Ft. NATURAL. Derate burner for altitude over 2,000 feet by 4% for each 1,000 feet above sea level.
4. 1 MBH = 1,000 BTU/hr.
5. For 50 Hertz applications the RE4850BA, RE4700BA, RE4400B and RE4400BA will be derated by 20%. Contact the factory for details. NOTE: Burners rated for 50Hertz are not UL Listed.
6. See Section XII of Operational Sequence

Part 1
Installation

CAUTION: The **ECONOMITE Models RE4850BA, RE4700BA, RE4400B and RE4400BA** Burners are not intended for outdoor installation and must be protected from excessive moisture. Provide adequate clearance for service and proper operation.

I Ventilation

If the former automatic oil burner gave trouble-free operation, it is probable that the heating plant area has sufficient infiltration of air for combustion and dilution of flue gases. **Nevertheless, the area must be checked.**

Open basement or utility areas of normal construction, without storm windows or tight doors, will generally allow sufficient air infiltration. However, if the heating plant is located in a tight or separate room, ventilation to an open area as described above will be required. Install two permanently open grills, each sized on the basis of one square inch free area per 1,000 BTU (but not less than 100 square inches) of the total input rating of all gas utilization equipment in the combined space. One grille should be located within 12 inches of the ceiling, the other within 12 inches of the floor.

If the heating plant is located in an area of unusually tight construction, or if an exhaust fan, kitchen ventilation system, clothes dryer and/or fireplace is installed in the building, provisions must be made for an outside air supply near the heating appliance area. Install permanently open grills sized at not less than one square inch free area per 4,000 BTU of burner input. When ventilating through horizontal ducts, grills should be sized at not less than one square inch free area per 2,000 BTU of burner input. In any case, the minimum dimension of rectangular air ducts shall not be less than 3 inches.

In Canada, for detailed ventilation requirements, refer to standard CAN 1-B149.1 or .2 and/or local codes.

Part 1 Installation Continued

II Preparation of the Gas Utilization Equipment

- Clean the gas utilization equipment combustion chamber, heat exchanger interior, and flue connections. Remove all adhering tars, scale, dirt and soot. Inspect for actual or potential leaks.
- Cement all joints, including those in the heating appliance base and around the door frames, to prevent leakage into, or out of the combustion chamber.
- The access or firing door should open easily to relieve pressure. If positive latches exist, they should be modified to permit easy opening; a spring loaded door holder is recommended.
- On all boilers, make certain the pressure relief safety valve is in good operating condition.

III Combustion Chamber

A combustion chamber liner is normally required to protect non-heat transfer surfaces and to provide a radiant bed for rapid heat transfer to the primary surfaces of the heat exchanger. In most cases the existing chamber liner can be used, if in good condition.

In the case of wet base boilers, where the entire firing chamber is comprised of heat exchange surfaces and no chamber liner was provided for oil firing, a liner is usually not required for the ECONOMITE. However, a liner or target wall may be necessary if the firing chamber is unusually short, in order to avoid excess flame contact on the heat exchanger walls or flueways.

If a built up chamber liner is required, use 2,300°F minimum insulating material.

The burner tube, or the stainless steel sleeve that is included with the burner, must be sealed air tight into the combustion chamber opening with refractory material. The sleeve is preferred as it is designed to properly locate the end of the tube relative to the inside wall of the combustion chamber, and to permit burner removal without breaking the seal.

⚠ CAUTION: In no case should the burner tube be allowed to extend into the chamber proper; it must be set at least 1" short of the inside surface because high combustion chamber temperatures will cause premature pilot, electrode, burner tube and sleeve deterioration.

⚠ WARNING: BURNER MUST BE MOUNTED IN ORIENTATION SHOWN IN FIGURES 1 AND 2. ANY OTHER MOUNTINGS MAY CAUSE A DANGEROUS CONDITION, AND WILL VOID BURNER WARRANTY AND AGENCY APPROVALS. NON-STANDARD ARRANGEMENTS MAY BE AVAILABLE FOR SOME MODELS. CONSULT FACTORY FOR DETAILS IF REQUIRED.

Before permanently setting the burner in place, check that the main burner and pilot ports are free of foreign materials, and also that the spark electrode assembly has not been damaged or displaced. See Figures 7A and 7B.

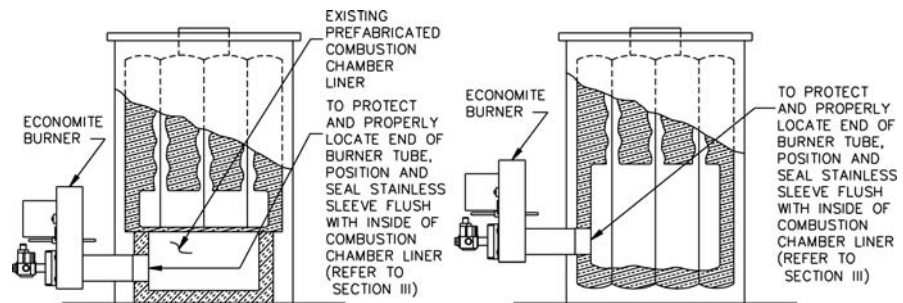


Figure 1: Dry Base Boiler with Combustion Chamber Liner (Warm Air Furnace Construction is Similar)

Figure 2: Wet Base Boiler with Unlined Combustion Chamber

IV Chimney, Vent Connector and Draft Control

⚠ WARNING: The chimney shall be inspected for unsafe conditions such as deteriorated masonry and excessive soot or other blockage or potential blockage. Installation must conform with local codes or in the absence of local codes with NFPA, ANSI Z223.1 latest edition.

⚠ WARNING: The vent connector shall not be connected to a chimney already venting solid fuel burning equipment, an incinerator or an open fireplace.

- The Vent Connector shall be made of non-combustible, corrosion resistant material capable of withstanding the vent gas temperature produced by the gas utilization equipment and of sufficient thickness to withstand physical damage.
- The Vent Connector shall be as short as possible. The entire length shall be readily accessible for inspection, cleaning, and replacement.
- The length of horizontal uninsulated Vent Connector between the chimney and a single gas utilization equipment shall not exceed 75% of the height of the chimney above the connector, or 100% if the Vent Connector is insulated.

**Part 1
Installation
Continued**
**IV Chimney, Vent
Connector and
Draft Control
Continued**

- The Vent Connector shall be installed so as to avoid turns or other construction features which create excessive resistance to flow of vent gas. It shall be installed without any dips or sags and shall slope upward at least 1/4" per foot.
- A manually operated damper shall not be placed in the Vent Connector or chimney of any gas utilization equipment.

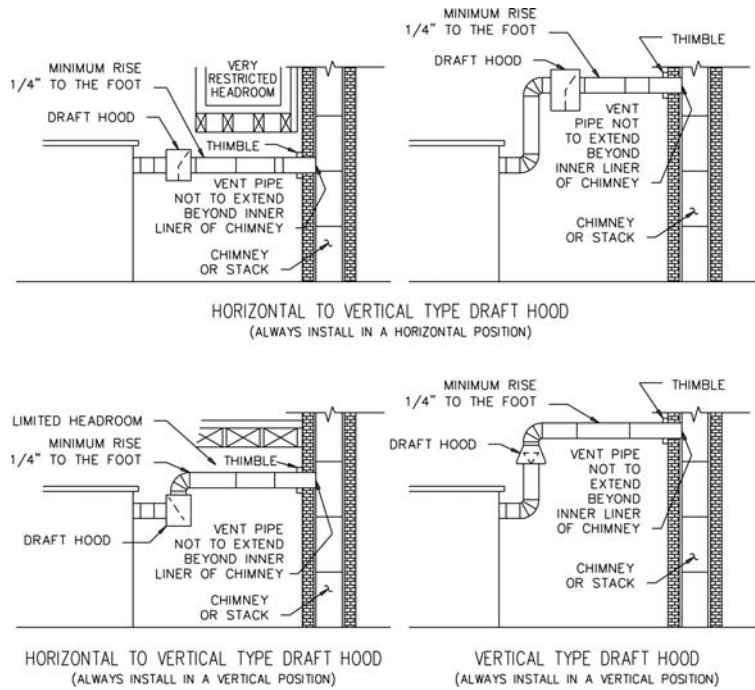


Figure 3: Recommended Locations for Draft Hoods

- The Vent Connector shall be firmly attached to draft hood outlets and flue collars. Joints between sections of connector piping shall be fastened by sheet-metal screws or other approved means. The Vent Connector shall be supported for the design and weight of the material employed to maintain clearance and prevent physical damage and separation of joints.

- A draft hood or a barometric draft regulator shall be installed in the same room or enclosure as the equipment in such a manner as to prevent any difference in the pressure between the hood or regulator and the combustion air supply (see Figures 3 and 4). In no case shall the relief opening of the draft hood or barometric draft regulator be located at a point lower than the top of the highest flue passage in the equipment.

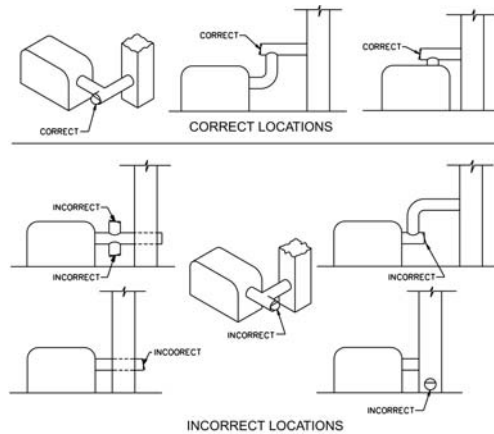
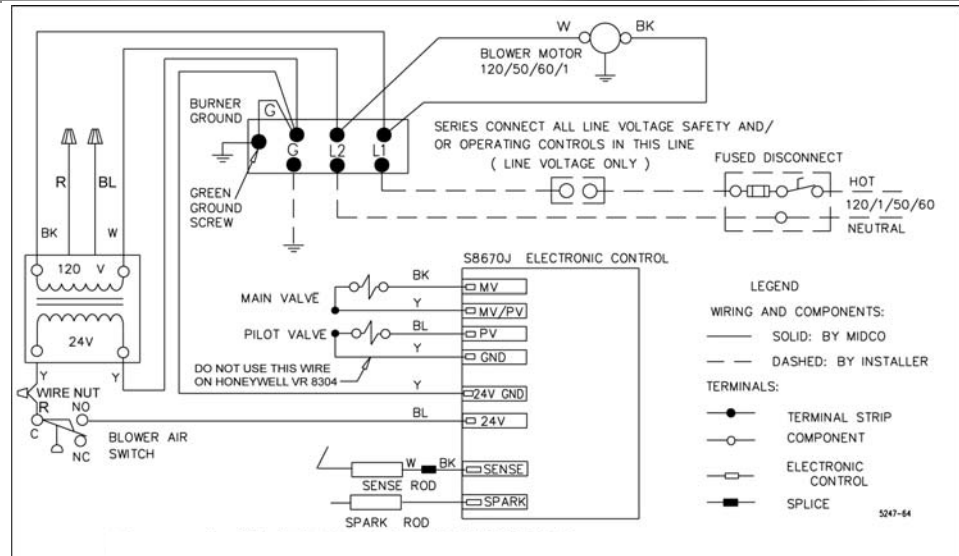


Figure 4: Location for Barometric Draft Regulators

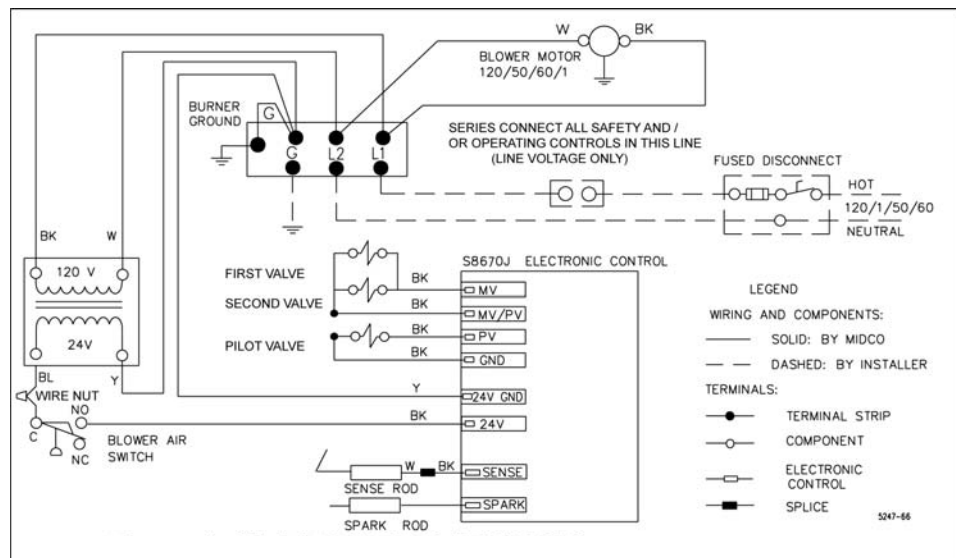
*Note: Figure 3 and 4 :
Copyright by American Gas Association.
Used by permission of the copyright holder.*

- Gas utilization equipment requiring controlled draft may be equipped with a listed double acting barometric draft regulator, if approved by local codes (see Figure 4).
- A device which will automatically shut off gas to the burner in the event of sustained backdraft is required. It shall be of the listed manual reset type and installed and adjusted by a qualified service technician in accordance with the manufacturer's instructions.
- Refer to gas utilization equipment manufacturer for recommended vent connection requirements.

Part 1 Installation Continued



Wiring Diagram RE4400B and RE4400BA



Wiring Diagram RE4700BA and RE4850BA

V Electrical

⚠ CAUTION: Refer to wiring diagram located on the inside of the burner housing cover or above wiring diagram.

Installation wiring and grounding to the burner must conform to local codes, or, in their absence in the **United States to National Electric Code, ANSI/NFPA No. 70** latest edition; in **Canada, to Canadian Electrical Code Part 1, CSA Standard C22.1**

□ Use copper wire not less than 14 gage for line voltage wiring. Hook up to a dedicated line with an on-off disconnect switch and a minimum 10 Amp breaker.

□ The frame of the burner should be well grounded. Normally the piping and/or electric conduit will provide sufficient grounding. However, a ground lug is located in control box for positive grounding where insulated pipe couplings are used or where any doubt exists regarding grounding sufficiency.

□ Confirm that the polarity is correct—hot wire to strip terminal L1, neutral L2—and that the neutral line is not subject to induced low voltage (check L2 to earth ground) from other equipment, as that can cause the Ignition Control Module to malfunction.

□ Each installation must include suitable limit control(s). Existing oil burner combination operating and limit controls are normally NOT SUITABLE for gas burner use.

□ Connect motors used on forced air furnace fans or boiler pumps to a combination limit control and switch.

□ Set the thermostat heat anticipator for the total current draw handled by the thermostat. The current draw of the ECONOMITE 24V operating circuit is 0.9 amps.

⚠ CAUTION: Label all wires prior to disconnection when servicing controls. Wiring errors can cause improper and dangerous operation. Verify proper operation after servicing.

CAUTION: The available gas pressure should be within the limits shown in SPECIFICATIONS section. Excessive pressure may damage electric valves, regulators and manual valves. If the supply pressure exceeds the 14.0"W.C. maximum, a suitable high pressure regulator must be installed between the Main Manual Shut-Off Valve and burner shut-off valve as shown in Figure 5.

Pipe Size	Type of Gas	Approximate Capacity -MBH				
		Pipe Length				
		10	20	40	75	100
3/4	Natural	200	150			
3/4	Propane	590	400	275	190	160
1	Natural	400	275	200	150	
1	Propane	1075	730	500	360	300
1 1/4	Natural	900	600	450	325	275
1 1/4	Propane			1040	750	630
1 1/2	Natural		900	650	475	400
1 1/2	Propane					975

Capacities shown are for a total pressure drop of 0.3"W.C. For 0.5"W.C. pressure drop, multiply capacity shown by 1.3. Propane capacities shown are for a total pressure drop of 0.5" W.C. For higher permissible pressure drops, consult your gas supplier.

Table 2: Schedule 40 NPT Pipe-Capacity Chart

- The burner gas supply piping should branch off from the main line as close to the gas meter as possible. Do not connect to the bottom of a horizontal section. Use new black pipe and malleable fittings free of cutting and threading burrs or defects.
- Provide a sediment trap, union and 1/8" pressure tap in piping close to burner as shown in Figure 5.
- Use pipe joint compound approved for use with Liquid Petroleum Gases.
- Piping must also comply with your local codes.
- To obtain the maximum firing rate of the burner, the gas supply piping must be sized to provide a minimum of 7.0"W.C. pressure to the inlet of the upstream automatic safety shut-off valve when the burner and all other gas utilization equipment are on. The pilot regulator can be mounted in any position, the main regulator, if equipped, should be mounted upright and in a horizontal run of pipe.

CAUTION: Because it is difficult to accurately control pressure during supply pipe leak testing, it is recommended that all low pressure (14.0"W.C. max.) components, both main and pilot, be disconnected during testing. Exposing low pressure regulators and valves, including manual valves, to pressures over 1/2 PSIG (14.0"W.C.) will cause damage and void all warranties.

DANGER: Explosion hazard.
Do not use oxygen for pressure testing.
An explosion could occur during initial start up.

- If the burner piping must be rearranged because of space limitation, be sure to carry out the general arrangement shown in Figure 5. Install the combination valve (RE4700BA, RE4400B & RE4400BA only) in any position except up-side down.
- When the burner is installed in the vestibule of jacketed equipment, it is recommended that the Automatic Safety Shut-Off Valves be left adjacent to the burner within the vestibule and the Main Manual Shut-Off Valve be installed outside.
- Run full size pipe or tubing from regulator vent openings to outside of building. Provide no traps in the vent lines and terminate away from all doors and windows; also make provisions for keeping rain and foreign objects from entering the vent piping.
- When high supply gas pressure is encountered, as in the case in many industrial plants, the gas line size can be reduced to allow for a greater pressure drop; however, the size must be sufficient to deliver burner rating pressure.

CAUTION: High gas pressure supply lines require the proper pressure reducing regulators. Install a high pressure regulator of the Tight Shut-Off type upstream of the low pressure regulator. Sized for main gas input, and suitable for the minimum flow regulating capacity of the pilot.

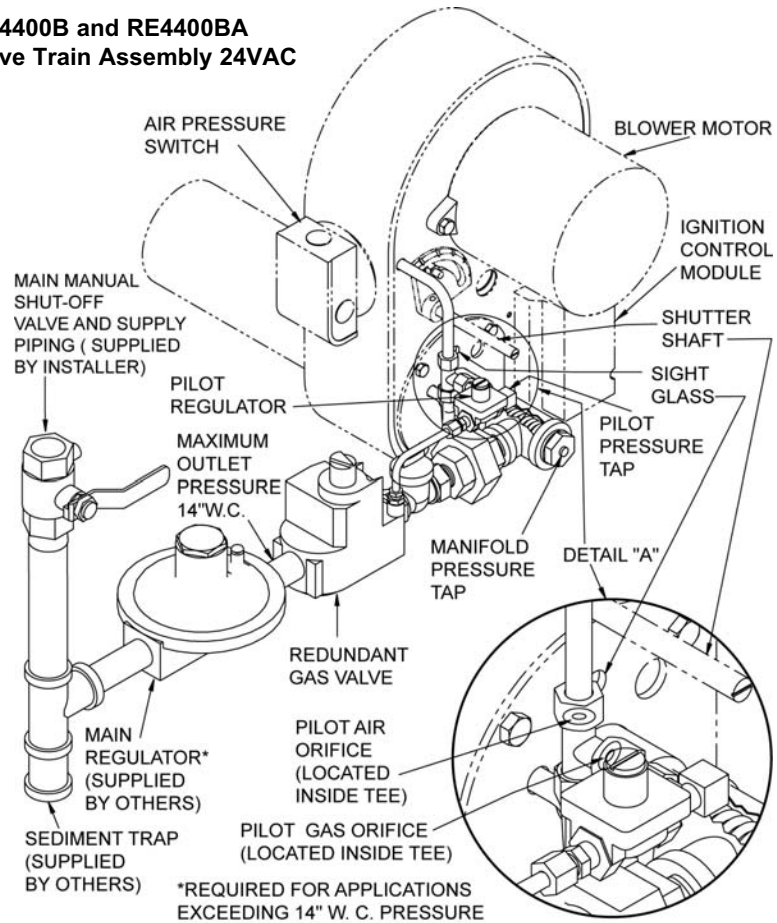
- The high pressure regulator must be adjustable to 14" W.C. outlet pressure.
- When the gas supply line is about to be put into service it must be tested to insure that it is gas tight. Use air or inert gas under pressure and test with soap and water to locate leaks.
- Before gas is turned onto the system, a check must be made to see that there are no open fittings and to make sure the burner main and pilot manual valves are closed.
- After checking for leaks, purge the gas line up to the burner inlet. Purging the air from the gas supply line at this step will expedite the first light-off.

NOTE: If there is more than 1.0" W.C. differential in the inlet pressure to the burner compared to when all other gas utilization equipment are off, refer to Section VI.

Part 1
Installation
Continued
Piping
Continued

VI

RE4400B and RE4400BA
UL, Valve Train Assembly 24VAC



RE4700BA UL, Valve Train
Assembly 24VAC

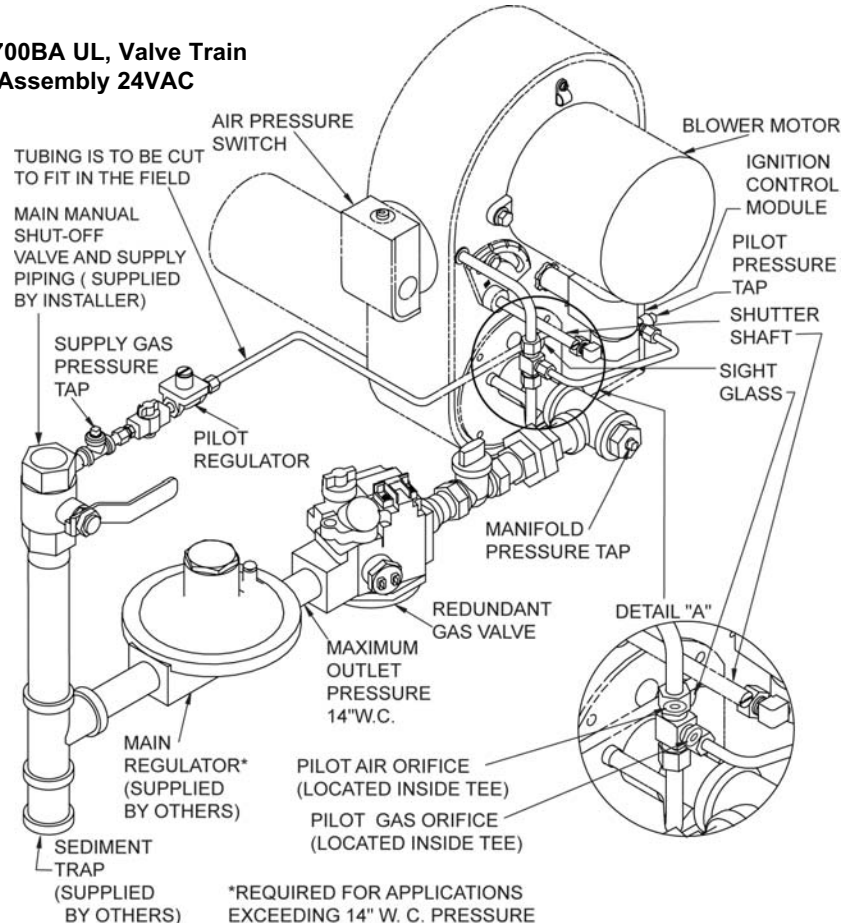


Figure 5: Piping Diagram

Part 1
Installation
Continued
VI Piping
Continued

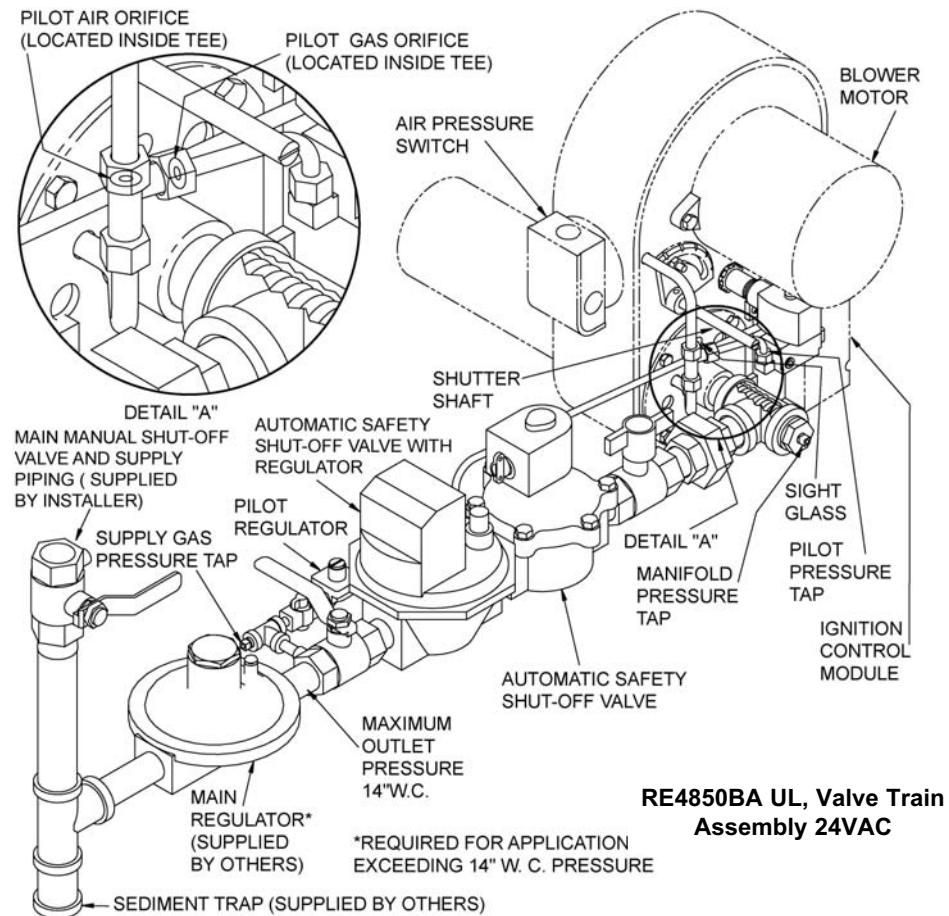


Figure 5: Piping Diagram (Continued)

VII Main Gas
Input Selection

Burners are approved for use with NATURAL gas or PROPANE gas and should be used only with the gas specified on the rating plate.

□ The gas input should be set at the heating rate determined by the building heat loss and/or heating plant survey, but not exceeding the rated maximum input of the gas utilization equipment or Economite burner.

VIII Initial Start-
up /Adjustment

⚠ WARNING: Ignition is automatic. Make spark observations into combustion chamber only with Main and Pilot Manual Shut-Off Valves closed. Confirm that gas utilization equipment does not contain any accumulated gases. Purge as described in step 3 below.

⚠ CAUTION: Cover plates, guards, and enclosures must be maintained in place at all times except during maintenance and service.

1. Check the burner piping and valves for gas leaks by applying a weak liquid soap solution to unions and joints with the gas supply on. Leakage will be indicated by the appearance of soap bubbles. Locate and correct all gas leaks before proceeding.

⚠ WARNING: DO NOT USE OPEN FLAME.

2. Purging the air from the gas supply line at this step will expedite first light-off.
IMPORTANT: Purge outside the building. Do not purge into the gas utilization equipment.

3. To purge the gas utilization equipment and chimney of any accumulated gases, turn main Manual Gas Cock **OFF**, close Pilot Manual Shut-Off Valve, turn burner power on, and set operating control to **ON** or thermostat to call for heat. Let the blower run long enough to accomplish four combustion chamber volume air changes, but not less than five minutes.

⚠ CAUTION: Make sure that the capacity range of the burner, manifold pressure, and the combustion air shutter setting are suitable for capacity rating of the gas utilization equipment. Refer to Section VIII and Table 3.

4. **RESET** the Ignition Control Module by setting the operating control to **OFF** or the thermostat below room temperature for at least 30 seconds. See Section XII.

5. Confirm that Main and Pilot Manual Shut-Off Valves are open. Turn main Manual Gas Cock **ON**.

Part 1
Installation
Continued
VIII Initial Start-
up /Adjustment
Continued

Natural Gas / Propane Gas Orifice Size and Pressure Settings

RE4850BA Input MBTU/HR ¹	Natural Gas			Propane Gas		
	Orifice Size (Inches)	Letter Stamp	Manifold Pressure ("W.C)	Orifice Size (Inches)	Letter Stamp	Manifold Pressure ("W.C)
850	No Orifice	-	3.5	0.688	I	2.4
800	No Orifice	-	3.1	0.563	H	2.5
750	No Orifice	-	2.7	0.500	G	2.7
700	0.688	I	2.8	0.422	F	2.8
650	0.688	I	2.4	0.422	F	2.4
600	0.563	H	2.8	0.358	J	3.9
550	0.500	G	3.15	0.358	J	3.3
500	0.500	G	2.4	0.358	J	2.7
450*	0.422	F	2.6	0.358	J	2.2
400	0.358	J	4.3	0.290	B	3.3
280	No Orifice	-	0.4	0.688	I	0.15
RE4700BA						
700	0.688	I	3.5	0.422	F	2.8
650	0.688	I	3.0	0.422	F	2.5
600	0.563	H	3.3	0.358	J	4.1
550	0.500	G	3.2	0.358	J	3.4
500	0.500	G	2.7	0.358	J	2.8
450	0.422	F	2.9	0.358	J	2.3
400*	0.422	F	2.3	0.290	B	3.4
233	0.688	I	0.4	0.422	F	0.3
RE4400BA						
400	No Orifice	-	4.7	0.358	J	3.5
350	No Orifice	-	3.6	0.290	B	4.65
300	No Orifice	-	2.7	0.261	C	4.15
250*	0.358	J	3.3	0.219	E	4.75
200	0.290	B	3.5	0.219	E	2.8
133	No Orifice	-	0.6	0.358	J	0.45
RE4400B						
400	No Orifice	-	4.3	0.358	J	2.8
350	No Orifice	-	3.3	0.290	B	3.6
300	No Orifice	-	2.4	0.261	C	3.1
250*	0.358	J	2.9	0.219	E	3.2
200	0.290	B	2.8	0.219	E	2.1
132	No Orifice	-	0.6	0.358	J	0.3

Table 3: Capacity and Preliminary Gas Settings

DATA FOR TABLES IS APPROXIMATE AND BASED ON "0" OVERFIRE PRESSURE AT SEA LEVEL

¹ Adjust the main regulator to vary the manifold gas pressure and burner input within the range shown. Do not exceed pressure as listed in Table 3, under any circumstances. Use combustion readings (CO or O₂) and a flow meter to determine exact inputs.

*Orifice Size and approximate manifold gas pressure setting: as shipped. Air shutters are set at full open (Note: RE4400B and BA full open is at the stop on mark 3.2).

NOTE: For LP Conversion kit contact the factory

**Part 1
Installation
Continued
VIII Initial Start-
up /Adjustment
Continued**

- Turn operating control to **ON** or set thermostat above room temperature. After the pre-purge is complete, the pilot should ignite. Whenever the burner pilot fails to light during the ignition trial, or if the flame is lost during the burner run and is not reestablished within 15 seconds after the pre-purge, the Ignition Control Module will shut off the Automatic Safety Shut-off Valves and **LOCK OUT**. To **RESET** the Ignition Control Module Control for restart, de-energize the Ignition Control Module by setting the operating control to **OFF** or thermostat below room temperature for at least 30 seconds. If burner still fails to light, turn it off and repeat from step 4 above. Then if necessary, refer to the **TROUBLE CHART** to isolate the problem.

⚠ WARNING: Repeated unsuccessful attempts to light will result in accumulated gases in gas utilization equipment and chimney. To prevent these gases from reaching an explosive level, periodically purge the gas utilization equipment and chimney as described in step 3 above.

- To make a preliminary setting of the burner input, determine the manifold gas pressure required from Table 3 and adjust the Main Gas Pressure Regulator accordingly. See Section XI.

- To determine the firing rate for **NATURAL** gas, accurately time test dial for the number of seconds for one revolution and use the following formula. All other gas utilization equipment must be off.

$$\frac{3600 \times \text{test dial size} \times \text{BTU value}}{\text{No. of seconds for one rev. test dial}} = \text{BTU/Hr.}$$

Then divide by 1,000 for MBH value.

Example:
$$\frac{3600 \times 1 \times 1000}{10} = 360,000 \text{ BTU/HR} = 360 \text{ MBH}$$

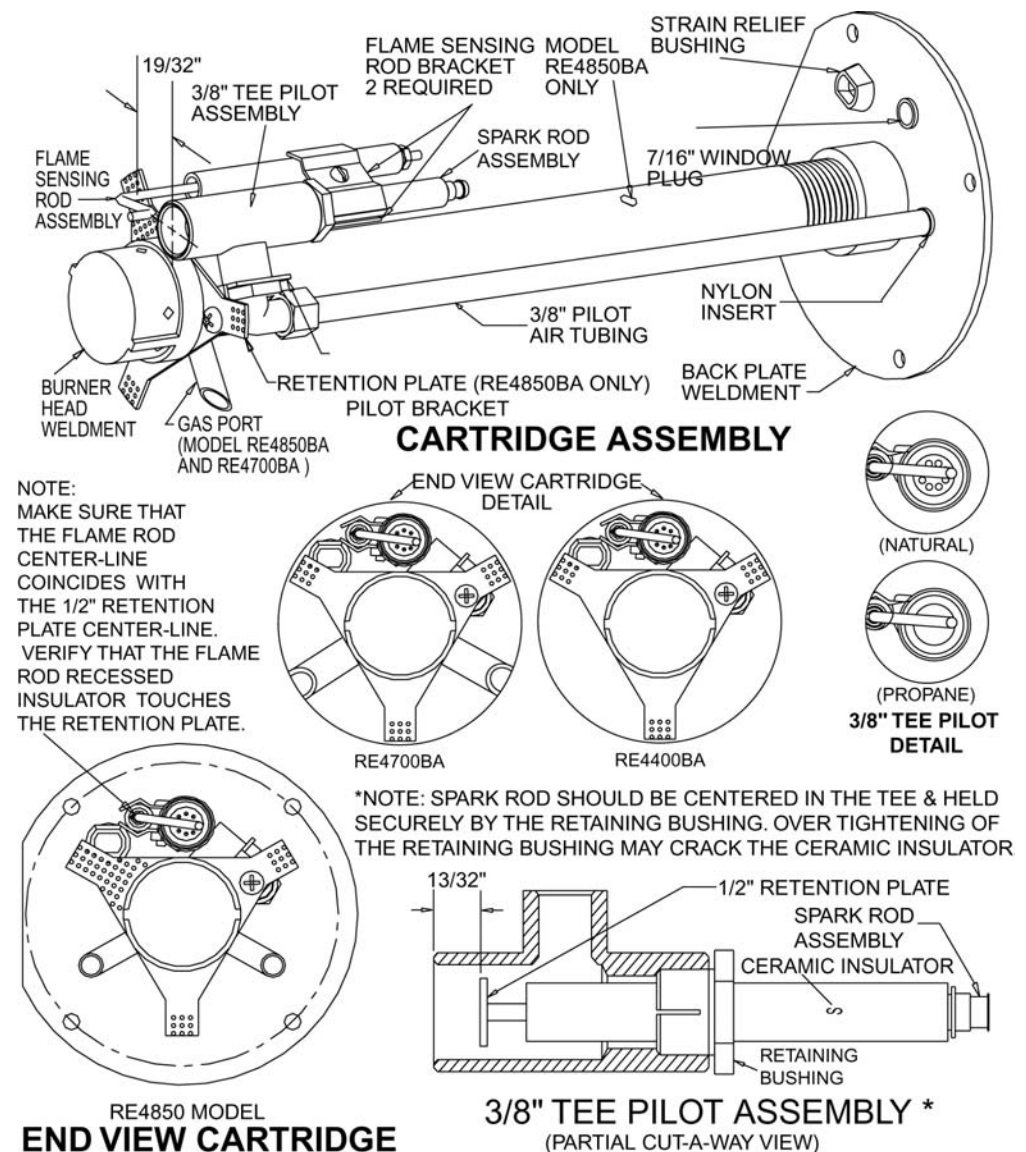


Figure 7A: General Assembly for RE4850BA, RE4700BA and RE4400BA

**Part 1
Installation
Continued**

**VIII Initial Start-
up /Adjustment
Continued**

9. Check the operation of the burner; start and stop it several times with the thermostat or operating control.
10. With the burner running, check the operation of all limit and associated controls.
11. Perform the following final adjustments for combustion and flue gas temperature. Take the flue gas samples and temperature immediately ahead of the draft control.
 - A. The flue gas temperature should be above 325°F but not exceeding 550°F. Excessive flue gas temperatures will result in low efficiencies. Low flue gas temperature may cause excessive condensation. Reset gas input, if necessary, to adjust stack temperature.
 - B. Make the final setting of the combustion air shutter by checking the flue gases with an **ORSAT** or similar combustion testing instrument. The carbon monoxide content should conform to local codes, or in their absence, to the level specified in the United States or Canadian Standard referenced on the front cover of this manual; and the carbon dioxide content should be approximately 9.5% for NATURAL or 12% for propane, or within the limits prescribed by local codes.
12. Check the draft control to make sure there is no spillage of flue products into the room.
13. **FILL OUT THE INSTALLATION ADJUSTMENT DATA TAG** and affix to the burner or gas utilization equipment.

NOTE: For subsequent normal starting and shut off procedure, refer to **CONSUMER INSTRUCTIONS**, located in part 3 of this manual, or to the instruction plate mounted on the burner.

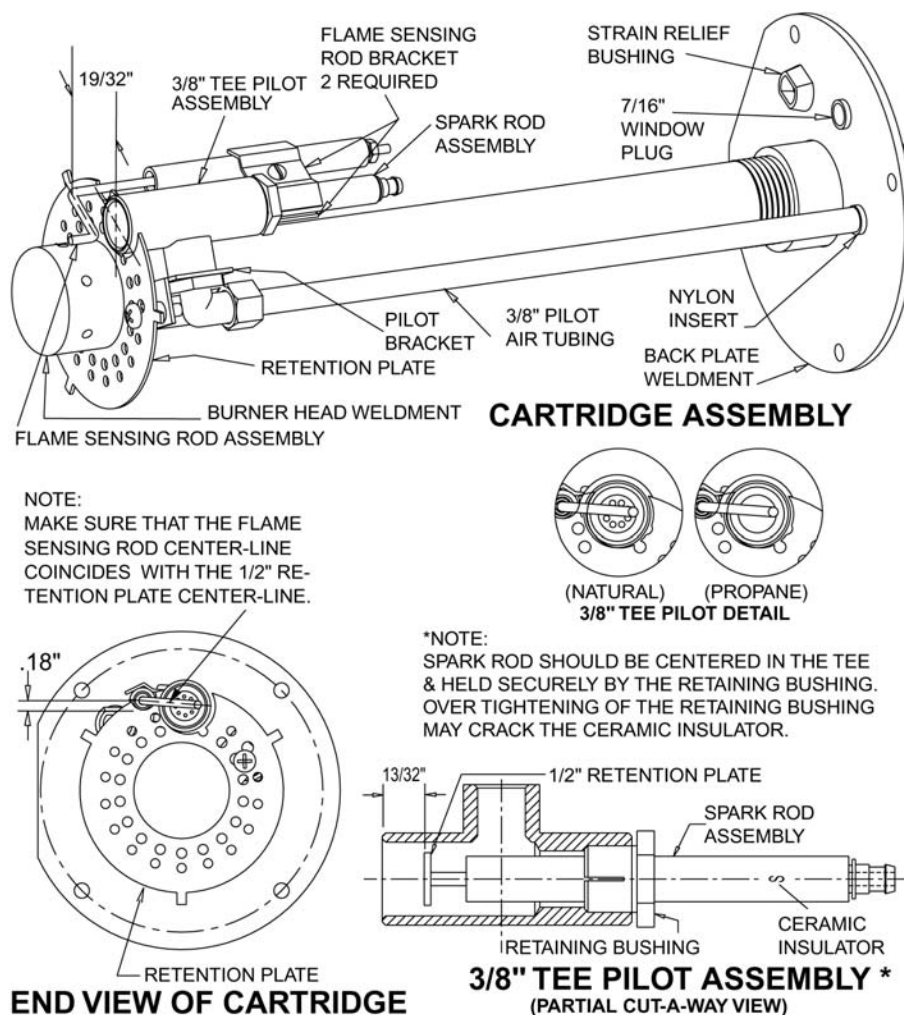


Figure 7B: General Assembly for RE4400B

Part 2 Service

PART 2 SERVICE

⚠ DANGER: Do not tamper with the unit or controls. If trouble occurs contact the installing contractor, service agency, or fuel supplier. See front cover.

⚠ DANGER: Be sure that the main and pilot manual Shut-Off Valves are closed and the burner power supply is turned off before removing any parts for service.

⚠ CAUTION: Cover plates, guards, and enclosures must be maintained in place at all times except during maintenance and service.

Model	Gas Orifice Diameter #54 Wire Drill	Approx. Capacity BTU/Hr.	Pilot Gas Pressure	
			Natural	Propane
RE 4850BA	0.055"	6000	3.0"	2.5"
RE 4700BA	0.055"	6000	to	to
RE 4400B	0.055"	6000	4.5"	3.5"
RE 4400BA	0.055"	6000	W.C.	W.C.

Table 4: Pilot Specifications

IX

Pilot

The pilot is of the premix, blast type. The full force of blower air is brought into the mixing tube where the proper amount of gas is added through the pilot orifice. This mixture is discharged through the pilot. The mixture provides the flame that contacts the flame sensing rod and also ignites the main gas.

⚠ CAUTION: Do not indiscriminately increase pilot orifice size. Pilot troubles are rarely cured in this manner and new troubles may be created.

- Under normal conditions, with a slight negative pressure in the combustion chamber, pilot operating pressures should be set as indicated in Table 4.
- Some conditions which may require a change from the normal setting include: extremely long tubing connections between the regulator and pilot solenoid, high negative or positive combustion chamber pressure, actual air shutter setting and altitude extremes.
- Do not subject the pilot to an inlet pressure over 14.0"W.C. See Section VI PIPING for high pressure gas.
- To adjust outlet pressure, remove the seal cap for access to the adjusting screw. Turning the screw clockwise will increase outlet pressure, counter clockwise will decrease outlet pressure.
- The spark rod for a natural gas burner is welded to a round 1/2" perforated retention plate. (The spark rod for a propane gas burner is welded to a round 1/2" **solid** retention plate.)

⚠ CAUTION: Make sure that the natural gas burner has the correct spark rod retention plate before operating the burner. See "Replacement Parts Lists" if replacement is needed. The 1/2" retention plate is centered in the 3/8" Tee pilot and is positioned so the high tension voltage will arc to the inside of the 3/8" Tee pilot. (See Figure 7A and 7B).

- The flame sensing rod must be positioned as shown in Figures 7A and 7B so that the Ignition Control Module will detect a proper flame.
- Both the spark and flame rods are current carrying conductors and, along with their connecting wires, must be kept free of contact with conductive metal parts of the burner. Rod insulators and wire insulators should be clean, dry and free of cracks.
- Both the spark and flame rods are made from heat resistant alloys and can be expected to have a long service life. They should be routinely inspected, however, for corrosion or loss of metal.
- The pilot air tubing must be kept free of kinks or inside obstructions and must be positioned per Figures 7A & 7B, otherwise air flow could be reduced and adversely affect the pilot flame.

X

Motor Blower Interlock

⚠ CAUTION: BEFORE SERVICING, mark with a scribe line or measure opening of air controlling shutter, so that it can be reset to its original position following servicing.

- Cleaning of the blower wheel is usually the only service required. Need for cleaning is indicated if the character of the flame indicates a deficiency of air. Motor cooling air vents (if present) should also be cleaned at this time.
- The motor and wheel are removed as an assembly. Disconnect the motor wires from the motor terminal strip. Disconnect the motor conduit from the motor and remove the mounting bolts.
- The burner is equipped with a diaphragm type air pressure switch so as to prevent the burner from firing if the blower wheel is not running at its operating speed. When the motor is off there is no air pressure present to activate the pressure switch and in turn there is no power flow to the Ignition Control Module.
- To make a specific test of the interlock circuit:
 1. Turn burner power **OFF**.
 2. Turn Manual Gas Cock **OFF**.
 3. Disconnect the motor wire from the terminal strip to keep the motor off.
 4. Turn burner power **ON** and set the operating control to **ON** or thermostat to call for heat. Verify there is 120VAC line voltage by using a multimeter. Check for 24V between the Ignition Control Module **24V** and **24V GND** terminals.

Part 2
Service Continued

X Motor Blower
Interlock
Continued

- A. No voltage: Interlock circuit OK.
- B. Voltage present: check that the switch is wired properly or check switch operation. Replace if switch tests bad.

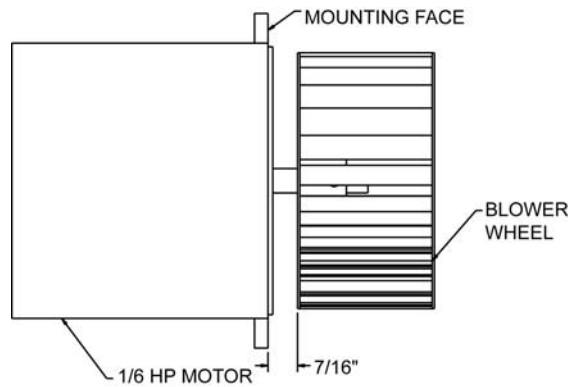


Figure 6: Motor / Blower Assembly

XI Valve Train

- Should replacement or service be required, valve manufacturer's instructions must be followed as outlined in their information sheet.
- Outlet pressure settings must be checked while the gas is flowing.
- To adjust outlet pressure, remove the seal cap for access to the adjusting screw. Turning the screw clockwise will increase outlet pressure, counter clockwise will decrease outlet pressure.

XII Sequence of
Operation
S8670J Ignition
Control Module

- Prepurge S8670J
When power is applied to L1 and L2 through a safety and operating control, the combustion air blower starts, once the air proving switch closes and proves blower operation, energizes the S8670J, and initiates a 30 second delay to allow system prepurge. After a 30 second prepurge, the 15 second trial for pilot ignition sequence begins.
- Trial for Pilot Ignition
On a "call for heat" and after 30 second prepurge, the module energizes the spark source and the pilot valve relay simultaneously. The pilot valve opens, allowing gas to flow to the pilot burner during the 15 second ignition trial time. The spark lights the pilot flame when pilot gas is present. A flame rectification circuit confirms the presence of the pilot flame, shuts off the spark source, and energizes the main valve relay.
- Main Burner Operation
When the main valve opens, gas flows to the main burner where it is lit by the pilot flame. There is a 2 second flame stabilization period as the main valve opens. The system is now in the run mode with the presence of the pilot flame continuously monitored by the flame rectification circuit. If the pilot flame goes out, or pilot flame signal drops below 1.1 micro amps, the control senses loss of pilot flame and shuts off both the pilot valve relay and the main valve relay.
- The control has two LEDs; one for flame sensing and one for system status:
 - . Flame LED (Yellow)
 - . Indicates flame presence and strength.
 - . Status LED (Green)
 - . Indicates system operation status and error conditions.
- FAILED TRIAL FOR PILOT IGNITION S8670J
If pilot flame is not lit and sensed before the end of the 15 second trial for ignition time, the control shuts off the pilot valve (100% shutoff) and goes to lockout. Or if proof of flame is lost during burner run cycle the system will retry once, if pilot flame is not proven within the 15 second trial for ignition time, the control shuts off the pilot valve relay and lockout. The control remains in lockout until power is cycled by the system thermostat or removing and restoring system power.
- For operation characteristics, maintenance, service procedures, and LED codes refer to manufacturer's literature provided.

⚠ WARNING: Explosion hazard. Do not use any electronic device if it gets wet. It can malfunction and cause serious injury or death. Replace any device that has been wet.

XVIII *Special Equipment (OEM Versions)*

Special equipment, either factory or contractor installed, may cause variation in the procedures and descriptions given in this manual.

Consult the OEM's manual to identify the differences in the information.

XIX *Canadian Specifications*

The major difference for the CUL version of the RE4850BA, RE4700BA, RE4400BA and RE4400B is the French / English specification plate, French / English manual and the firing valve for the pilot line.

Part 3 Maintenance

CONSUMER INSTRUCTIONS

Keep the area around the burner clear and free of combustible material, gasoline or other flammable liquids or vapors. Do not obstruct burner air openings or ventilation grills for combustion air.

The motor features permanently lubricated ball bearings and requires no maintenance.

⚠ WARNING: If any flame is observed when the burner is on standby, or if the ignition spark or valve operator is heard to come on before the motor reaches operating speed, immediately turn off the manual gas control and burner power. A dangerous condition has developed and must be corrected. CONTACT A QUALIFIED SERVICE TECHNICIAN FOR CLEANING, READJUSTMENT OR REPAIR.

Check that the pilot ignition spark does not come on before the motor reaches operating speed. If it does, the air switch is defective and must be replaced. (See Section X, Motor / Blower Interlock).

Lighting Instructions

LIGHTING INSTRUCTIONS

1. SET OPERATING CONTROL TO **OFF** OR THERMOSTAT BELOW ROOM TEMPERATURE.
2. TURN MANUAL GAS COCK **ON**.
3. TURN BURNER POWER **ON**.
4. SET OPERATING CONTROL TO **ON** OR THERMOSTAT TO CALL FOR HEAT.
5. IF THE PILOT FLAME IS NOT PROVEN WITHIN 15 SECONDS, AFTER THE PRE-PURGE, THE IGNITION CONTROL MODULE WILL SHUT OFF THE AUTOMATIC SAFETY SHUT-OFF VALVES AND LOCK OUT. IF THE PROOF OF FLAME IS LOST DURING BURNER RUN AND THE PILOT IS NOT RE-ESTABLISHED WITHIN 15 SECONDS AFTER THE PRE-PURGE, THE PRIMARY SAFETY CONTROL WILL SHUT OFF THE AUTOMATIC SAFETY SHUT-OFF VALVES AND LOCKOUT. TO RESET FOR RESTART, DE-ENERGIZE THE CONTROL BY SETTING THE OPERATING CONTROL TO **OFF** OR THERMOSTAT BELOW ROOM TEMPERATURE FOR AT LEAST 60 SECONDS.
6. REPEAT STEP 4 FOR RESTART.

TO SHUT OFF

1. TURN MANUAL GAS COCK **OFF**.
2. TURN BURNER POWER **OFF**.

SHOULD OVERHEATING OF THE APPLIANCE OCCUR

1. Shut off the manual gas control to the appliance.
2. **Do not** shut off the electrical supply power to the blower.

Part 3
Continued
Trouble Chart

TROUBLE CHART

Make sure the thermostat and operating controls are calling for heat.



CAUTION: If a test indicates an electrical component may be defective, before replacing it, make sure that its associated wiring is not at fault.

ELECTRICAL AND FLAME CHECKS MUST BE MADE IN THE ORDER LISTED BELOW.

***I Motor Will
Not Run or Motor
Runs in Repeated
Cycles***

I. MOTOR WILL NOT RUN

- A. Confirm 120V between strip terminals **L1** and **L2** and verify the circuit polarity and electrical ground between strip terminal **L1** and burner Ground.
- B. Check for 120V between strip terminals **L1** and **L2**.
 - 1. No voltage, open circuit in operating controls.
 - 2. Voltage present, motor is defective.

***II Motor Runs
Continuously, But
No Flame***

II. MOTOR RUNS CONTINUOUSLY, PILOT WILL NOT LIGHT

- A. Confirm that ALL Main Manual Shut-Off Valves are in the **ON** position.
- B. After the pre-purge, if the pilot flame is not proven within the pilot flame re-establishing period, or if the proof of flame is lost during the burner run and the pilot is not re-established after the pre-purge, the Ignition Control Module will **lock out**. To reset the control for restart, de-energize the Ignition Control Module by setting the operating control to **OFF** or thermostat below room temperature for at least 60 seconds.
- C. Clogged pilot orifice.
- D. Pilot regulator mis-adjusted or defective.
- E. Defective spark electrode or Ignition Control Module.
- F. Defective high tension wire.
- G. Wrong pilot orifice.
- H. Defective pilot valve.
- I. Pilot air tube clogged.
- J. Incorrect spark gap.
- K. Pilot regulator vent clogged.
- L. Defective blower air switch.
- M. Slow motor.
- N. Step down transformer is defective.

***III Pilot Lights,
No Main Flame***

III. PILOT LIGHTS, NO MAIN FLAME

- A. Poor pilot flame adjustment.
- B. Clogged pilot air tube.
- C. Defective flame sensing rod or wire.
- D. Flame sensing rod mis-located.
- E. Pilot regulator vent clogged.
- F. Defective Ignition Control Module.
- G. Defective main gas valve.
- H. Low gas pressure.
- I. Grossly mis-adjusted main gas and air.

