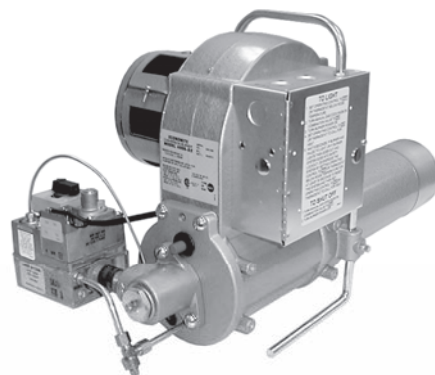


Replacement Parts List

Model Economite
400B-02 & 400B-02P



★MADE in the USA★

*Installation and Service Manual - 8470-75
Date Code - 2194*

- First Construction Date: May 1, 1994
- Supersedes Model 400A-02.



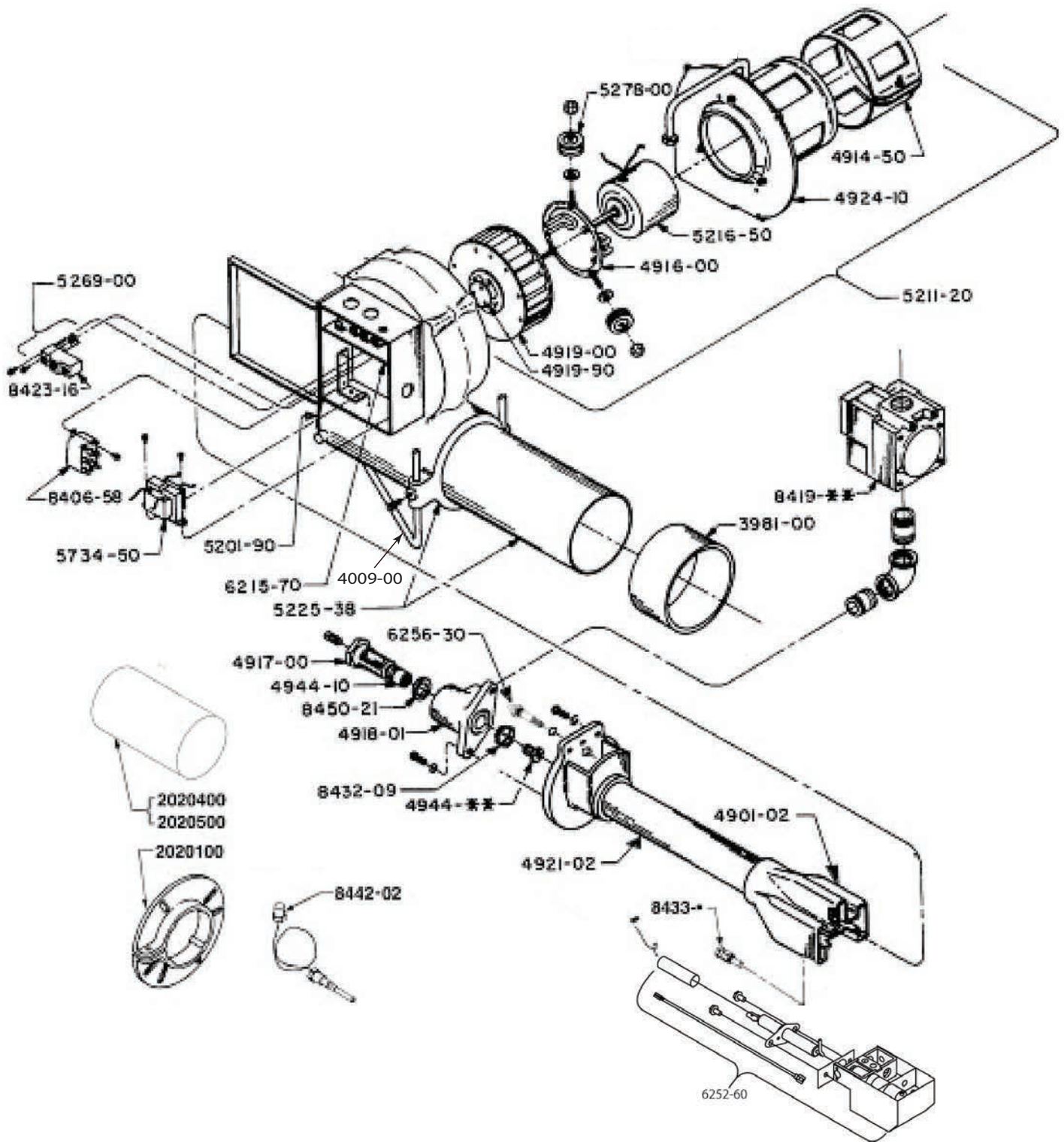
Midco[®]
INTERNATIONAL

Midco[®] International Inc.
4140 West Victoria Street
Chicago, Illinois 60646
toll free 866.705.0514
tel 773.604.8700
fax 866.580.8700
web www.midcointernational.com
e-mail sales@midcointernational.com

AVOID ERROR IN PARTS SELECTION. When ordering use complete MIDCO Part Number and Description. Furnish Burner Model Number, Bill of Material Number and Serial Number (if available) from the specification plate found on the product.

IMPORTANT: Availability of parts as well as specifications are subject to change without notice. Please consult factory for item availability.


400B-02 & 400B-02P Exploded View



400B-02 & 400B-02P Parts List

Item	Part #	Description	Qty	Item	Part #	Description	Qty
3981-00		4" Dia. Stainless Nozzle Sleeve		6215-70		Terminal Strip only	
4009-00		400 Stand Leg		6252-50		Spark Rod Insulator Sleeve	
4914-50		External Air Shutter		6252-60		Pilot Assembly Kit	
4916-00		Motor Mounting Ring less Rubber Mounts and Nuts		6252-90		Spark Electrode	
4917-00		Main Orifice Holder		6256-30		Piezo Ignitor Kit	
4918-01		Orifice Elbow (3/4" NPT)		6274-50		Spark Electrode Gasket	
4919-00		Blower Wheel complete with Centrifugal Actuator and Disc		8406-58		Motor Switching Relay-24 volt (Prod. Unlimited 9400-01Q2232)	
4919-90		Centrifugal Actuator Disc		8419-46 ¹		3/4" 3-Function Main Valve with Regulator (M-H V800A1328)-Natural Gas	
4924-10		Inlet Side Plate		8419-47 ¹		3/4" 3-Function Redundant Main Valve (M-H VR8300A4003)-LP must be used with 8419-49 #393691 for LP Gas only	
4944-01		Main Spud 11/32 Drill (.343) minimum capacity-NATURAL		8419-49 ¹		LP Regulator Kit #393691. Must be used with VR8300A4003.	
4944-02		Main Spud-25/64 Drill (.390) maximum capacity-NATURAL		8423-16		Blower Interlock Switch (Micro BZ2RQ174-A2)	
4944-03		Main Spud #21 Drill (.159) minimum capacity-PROPANE-Drill for desired capacity per manual		8432-09		O-Ring Seal	
4944-10		Main Spud Extension		8432-10		1" O.D. O-Ring Gasket for Piezo Ignitor	
5201-90		400-Series Rubber Seal Strip		8433-06		Pilot Orifice 3221-021 Natural Gas	
5211-20		Motor Wheel, Side Plate and Cage Assembly-120/1/60		8433-08		Pilot Orifice 4212-012 LP Gas	
5216-50		Motor less Mounting Ring and Rubber Mounts 120/1/60 (Universal Electric JB2P048N#; Fasco 7163-7511)		8442-02		30" Thermocouple	
5225-38		Blower Housing and Blast Tube Assembly		8450-21		Orifice Holder Sealing Gasket	
5269-00		Blower Interlock Switch with Bracket		2020100		4" Dia. Mounting Flange	
5278-00		3 Rubber Mounts and Nuts		2020400		4" Long Accessory Blast Tube Extension	
5295-00		Pilot Burner Weldment-order Pilot Orifice separately		2020500		8" Long Accessory Blast Tube Extension	
5734-50 ¹		Transformer 115/1/50-60 Primary, 24V-30VA Secondary (Prod. Unlimited 4000-01M07J232, 4000-01M07K232; Basler BE121630GDD, BE121630GAA)		Not Shown			
				4912-10		Motor Conduit with hardware	
				5292-00*		DS45B/400B-02 LP Gas Valve Wire	
				5299-00*		400B Valve Wire Natural Gas	
				8470-75*		Installation and Service Manual	

NOTES

¹  **WARNING: EXPLOSION HAZARD. CAN CAUSE SERIOUS INJURY OR DEATH. AN ELECTRONIC DEVICE CAN MALFUNCTION IF IT GETS WET. NEVER TRY TO USE A DEVICE THAT HAS BEEN WET-REPLACE IT.**

Exploded View

