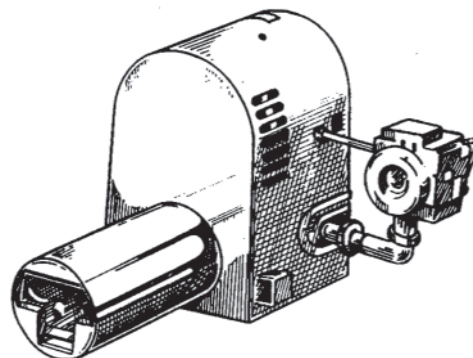


Replacement Parts List

Economite Model E20B and E20BP



★MADE in the USA★

*E20B and E20BP burners are no longer available
as of September 2015*

*Installation and Service Manual - 8470-78
First Construction Date: Coded August 1993 / 3393*

First construction September 27, 1993 (Date Code 3393), features a 30VA Transformer to accommodate higher current draw for newer Honeywell Combination Valves, Terminal Strip with 4-terminals plus earth ground terminal and modified wiring. Currently E20B and E20BP Motor Shelf assemblies are interchangeable with Model DS24A

Supersedes Models E20A and E20AP which featured a 20VA Transformer and Terminal Strip with 5-terminals plus earth ground terminal.

E20B and E20BP burners are no longer available as of September 2015



Midco[®]
INTERNATIONAL

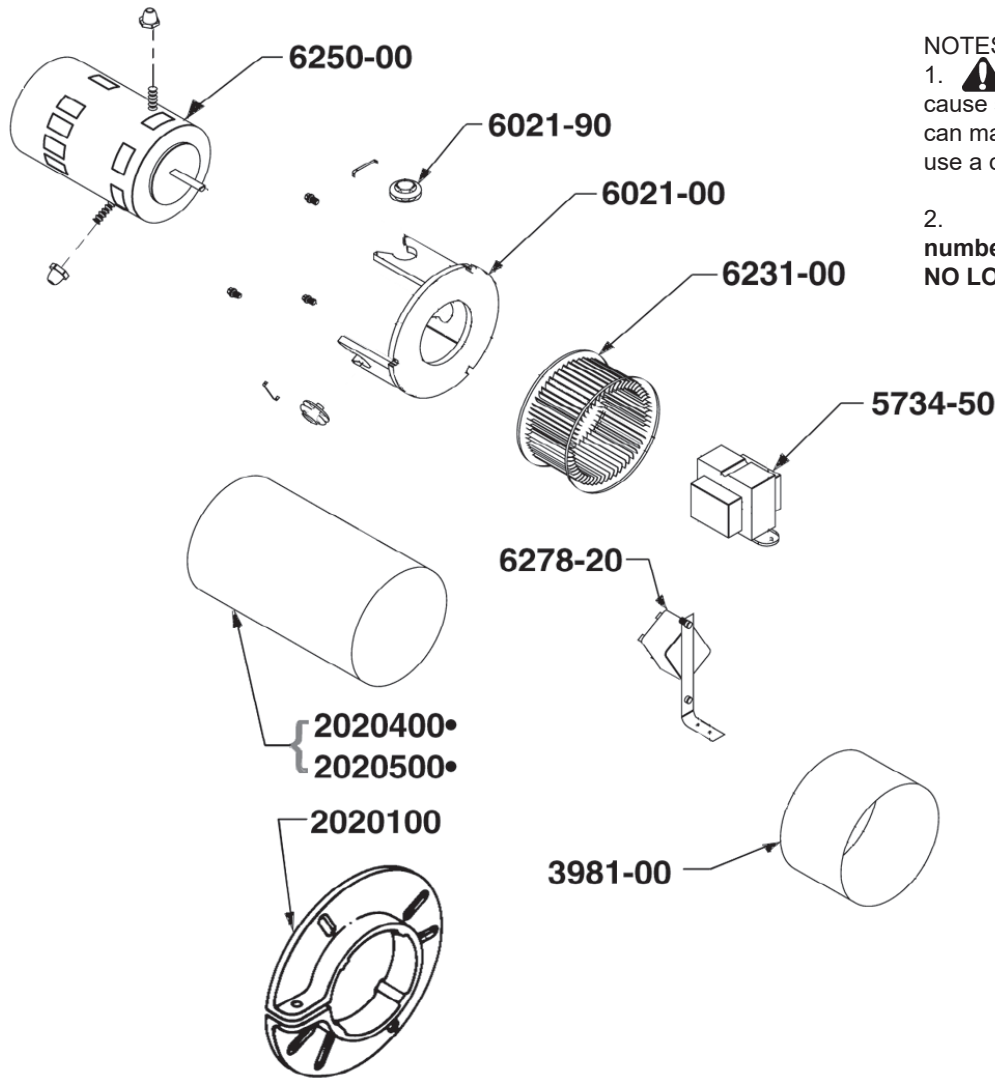
Midco[®] International Inc.
4140 West Victoria Street
Chicago, Illinois 60646
toll free 866.705.0514
tel 773.604.8700
fax 866.580.8700
web www.midcointernational.com
e-mail sales@midcointernational.com

AVOID ERROR IN PARTS SELECTION. When ordering use complete MIDCO Part Number and Description. Furnish Burner Model Number, Bill of Material Number and Serial Number (if available) from the specification plate found on the product.

IMPORTANT: Availability of parts as well as specifications are subject to change without notice. Please consult factory for item availability.

Quality Designed for Proven Performance

Available Parts for - Economite - E20B and E20BP



NOTES

1. **WARNING:** Explosion hazard. Can cause serious injury or death. This device can malfunction if it gets wet. Never try to use a device that has been wet -- replace it.

2. **NOTE:** Parts shown with part numbers are available. All other parts are **NO LONGER AVAILABLE.**

Part #	Description	Qty
3981-00	4" Dia. Stainless Nozzle Sleeve	1
5734-50	Transformer 115/1/50-60 Primary, 24V-30VA Secondary; (Prod. Unlimited 4000-01M04J232)	1
6021-00	Motor Mounting Bracket	1
6021-90	3 Rubber Motor Mounts and Clips	1
6231-00	Blower Wheel	1
6250-00	Motor with built in centrifugal switch- 120 volt (Fasco 7121-6655)	1
6278-20	Motor Switching Relay-24 volt (Prod. Unlimited 9400-01Q2232)	1
2020100	4" Dia. Mounting Flange	1
2020400	4" Long Accessory Blast Tube Extension	1
2020500	8" Long Accessory Blast Tube Extension	1

Notes:

1. Part numbers 5275-70 and 6252-50 are no longer available. See note #2.
2. The E20B and E20BP burners are no longer available as of September 2015